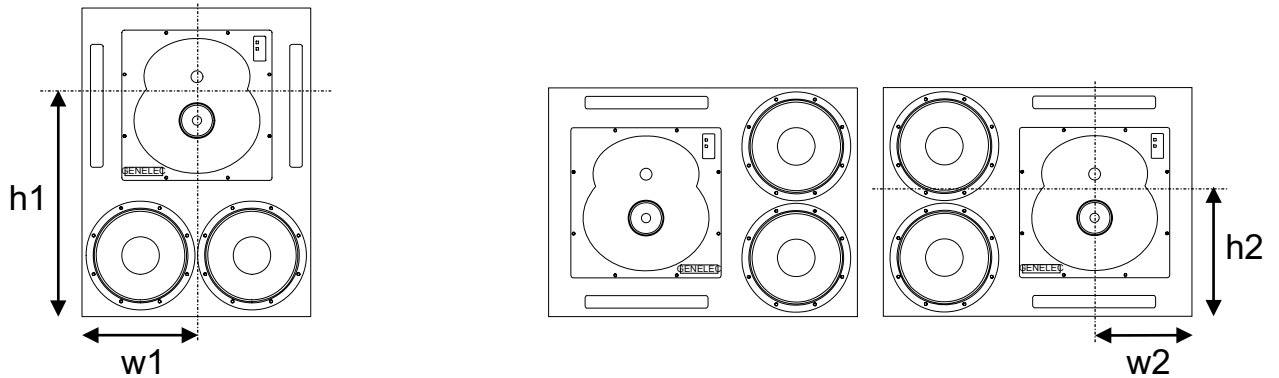
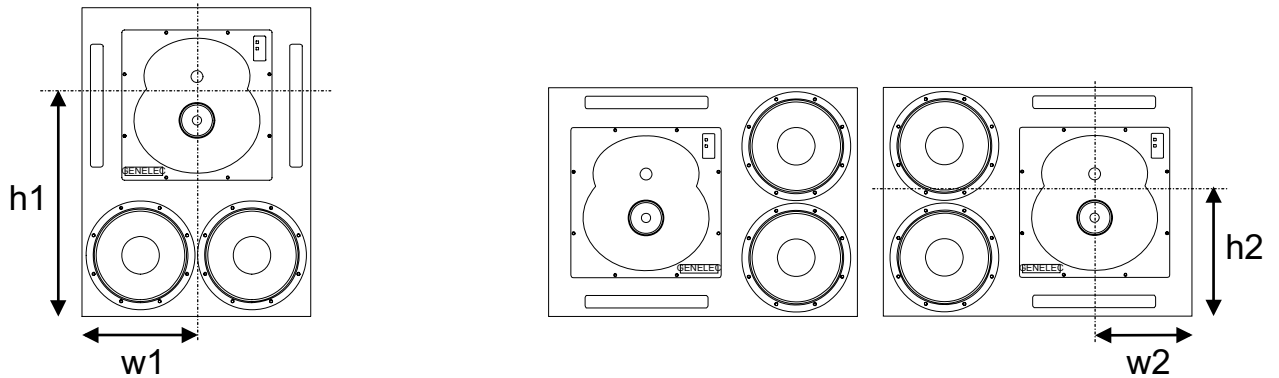


**ACOUSTIC AXIS LOCATION - TABLE 1**



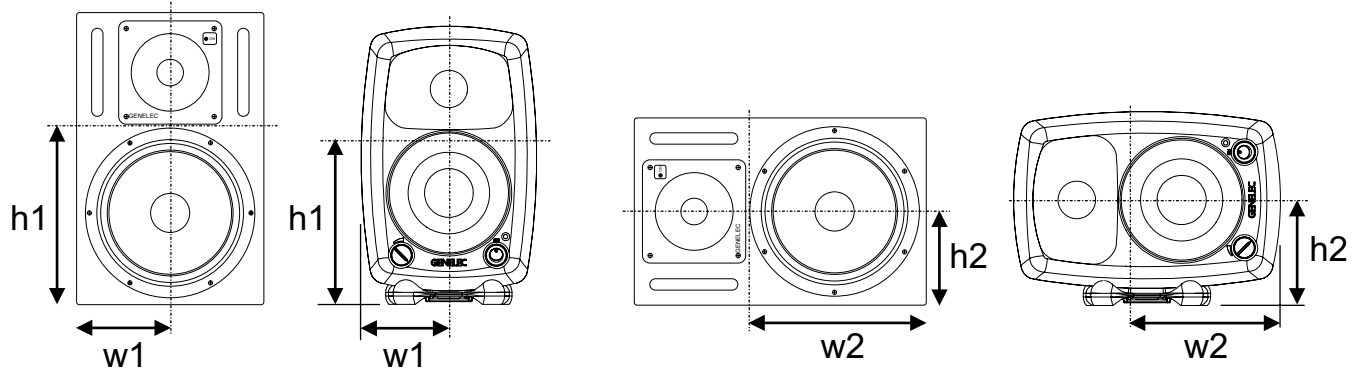
MODEL	VERTICAL MOUNTING	h1	w1	HORIZONTAL MOUNTING	h2	w2
1036A		858 mm 33 3/4"	480 mm 18 7/8"		508 mm 20"	350 mm 13 3/4"
1035B		783 mm 30 7/8"	410 mm 16 1/8"		438 mm 17 1/4"	350 mm 13 3/4"
1039A		750 mm 29 1/2"	410 mm 16 1/8"		430 mm 16 15/16"	320 mm 12 5/8"
1034B		660 mm 26"	350 mm 13 3/4"		390 mm 15 3/8"	270 mm 10 11/16"
1034BC		627 mm 24 11/16"	245 mm 9 5/8"		266 mm 10 1/2"	605 mm 23 13/16"

**ACOUSTIC AXIS LOCATION - TABLE 2**



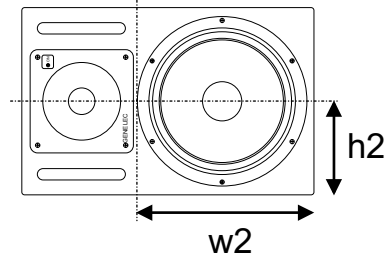
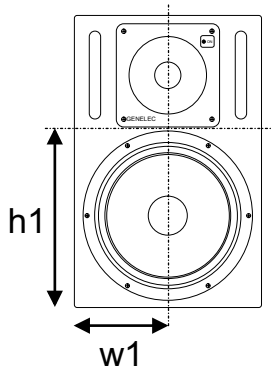
MODEL	VERTICAL MOUNTING	h1	w1	HORIZONTAL MOUNTING	h2	w2
<b>1038B</b>		650 mm 25 9/16"	240 mm 9 7/16"		282 mm 11 1/8"	202 mm 7 15/16"
<b>1038BC</b>		510 mm 20 1/16"	175 mm 6 7/8"		210 mm 8 1/4"	475 mm 18 11/16"
<b>1038CF</b>		456 mm 17 15/16"	235 mm 9 1/4"		277 mm 10 7/8"	196 mm 7 11/16"
<b>1037C</b>		540 mm 21 1/4"	200 mm 7 7/8"		230 mm 9 1/16"	170 mm 6 11/16"
<b>8260A</b>		448 mm 17 5/8"	178 mm 7 1/32"	<b>Horizontal mounting of the 8260A is not recommended</b>		

**ACOUSTIC AXIS LOCATION - TABLE 3**



MODEL	VERTICAL MOUNTING	h1	w1	HORIZONTAL MOUNTING	h2	w2
1032A		290 mm 11 7/16"	160 mm 6 5/16"		160 mm 6 5/16"	290 mm 11 7/16"
8050A 8250A		290 mm 11 7/16"	143 mm 5 10/16"		168 mm 6 10/16"	271 mm 10 11/16"
8040A 8240A		240 mm 9 7/16"	119 mm 4 11/16"		139 mm 5 15/32"	225 mm 8 7/8"
8030A 8130A		190 mm 7 1/2"	95 mm 3 3/4"		116 mm 4 9/16"	176 mm 6 30/32"
8020B		146 mm 5 3/4"	75 mm 2 15/16"	Horizontal mounting of the 8020B is not recommended		
6010A		120 mm 4 12/16"	60 mm 2 3/8"	Horizontal mounting of the 6010A is not recommended		

**ACOUSTIC AXIS LOCATION - Discontinued Products**



MODEL	VERTICAL MOUNTING	h1	w1	HORIZONTAL MOUNTING	h2	w2
<b>S30D V</b>		420 mm 16 17/32"	220 mm 8 21/32"	Do not use the S30D V in horizontal orientation		
<b>S30D H</b>	Do not use the S30D H in vertical orientation				220 mm 8 11/16"	382 mm 15 1/16"
<b>1031A</b>		235 mm 9 1/4"	125 mm 5"		125 mm 5"	235 mm 9 1/4"
<b>1030A</b>		200 mm 7 7/8"	100 mm 3 15/16"		100 mm 3 15/16"	200 mm 7 7/8"
<b>1029A 2029A 2029B</b>		150 mm 5 15/16"	75 mm 2 15/16"		75 mm 2 15/16"	150 mm 5 15/16"