

Installation Manual

Option 11 (1038-421)

1038A/B Rack Adapter

GENELEC®

Kit Contents

The following hardware should be included with this rack adapter kit:

- 1 pcs. Rack mount chassis unit with cable and connectors in place
- 1 pcs. Speaker cable adapter
- 4 pcs. 4x12 mm screws.

The bolts and nuts for attaching the rack adapter into an equipment rack are not included in this kit.

Cables to go between the amplifier and speaker are not included in this kit. To complete the installation, one of the following cable kit is needed:

Order code	Length
1039-203	2 meters
1039-204	5 meters
1039-205	10 meters
1039-206	15 meters
1039-207	20 meters

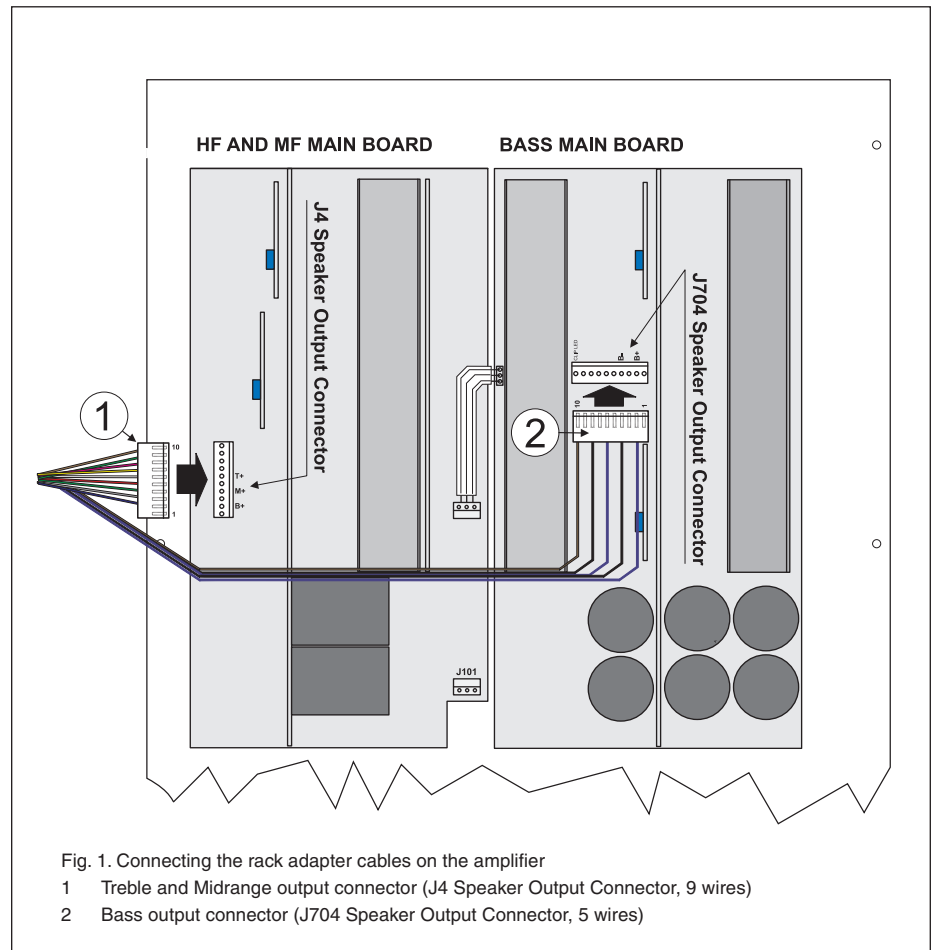
Installation

Place the speaker on a flat surface. Remove the amplifier from the rear of the speaker cabinet by loosening the six M4 screws at the edge of the longer sides. Take special care not to stress the speaker cables that connect the amplifier and speaker cabinet. Disconnect the speaker cables from the amplifier.

Place the amplifier and the rack adapter side by side on a flat surface.

Connect the rack adapter cables (see fig 1 above) to the amplifier board.

Place the amplifier on the rack adapter



chassis and fix it with six M4 screws (see fig 2 overleaf). Ensure that the rack adapter cables do not tighten or press against any amplifier components.

Connect the Speakon cables to the rack adapter (see fig. 2). Push the connector in and turn it clockwise until the retaining clip clicks.

The rack adapter can now be mounted into a standard 19 inch rack. The adapter chassis height is 12 U, but a well ventilated free space of at least 1 U (4,45 cm) is required above and below to

ensure adequate cooling, making the total space requirement of the assembly 14 U. Please notice that Speakon cable connectors require additional 100 mm (4 inches) of space behind the amplifier.

Attach the speaker cable adapter to the speaker box with four 4 x 12 mm screws (see fig. 3 overleaf). Connect the speaker cables and the Speakon cables to the adapter.

Place the speaker into its recess. Now the system is ready for operation.

Installation Manual

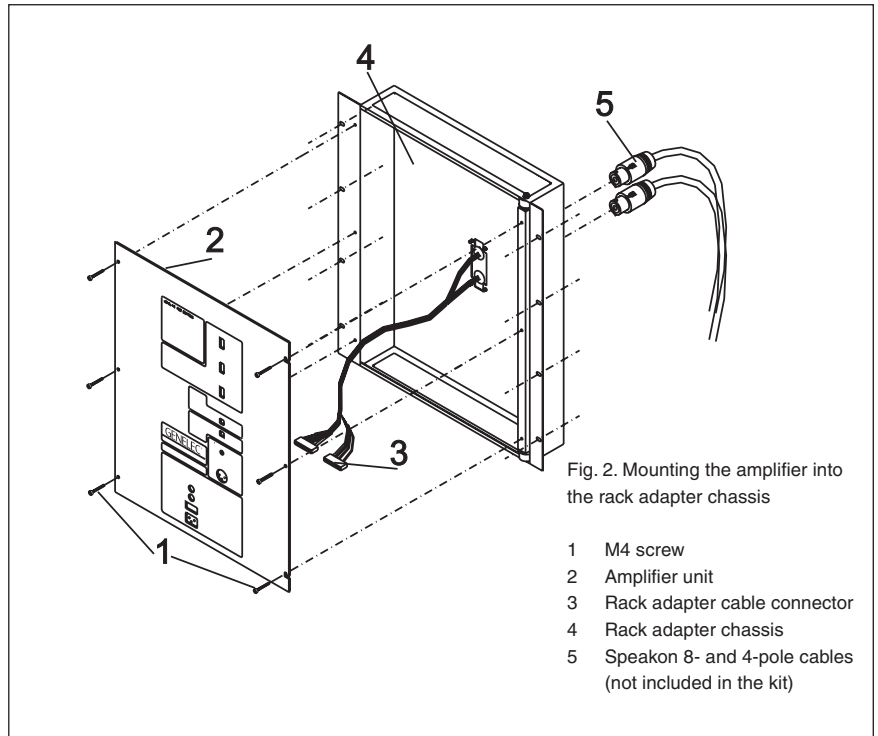
Option 11 (1038-421)

1038A/B Rack Adapter

Dimensions

	W	H	D
Rack mount chassis			
(mm)	480	530	113*
(inches)	18 ⁷ / ₈	20 ⁷ / ₈	4 ⁷ / ₁₆ *
Speaker cable adapter			
(mm)	118	67	57
(inches)	4 ⁵ / ₈	2 ⁵ / ₈	2 ¹ / ₄

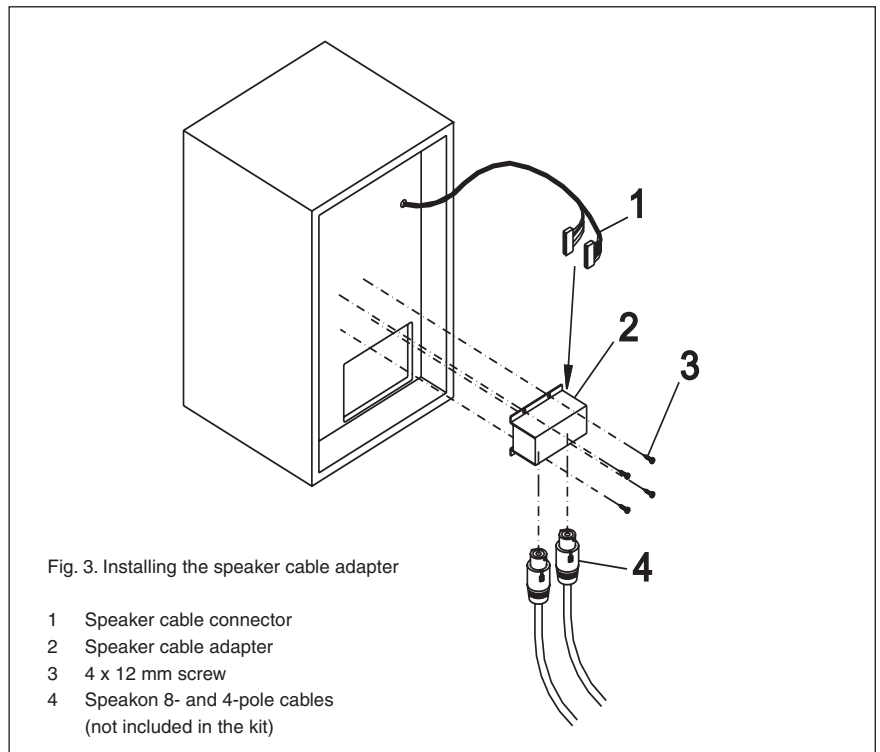
* Without Speakon connecting cable. Cable connectors require additional 100 mm (4 inches) of space behind the amplifier



Connector wiring

1038A/B SPEAKER CONNECTOR	
PIN NUMBER	SIGNALS
1 +	T+
1 -	T-
2 +	M+
2 -	M-
3 +	N/C
3 -	B-
4 +	B+
4 -	N/C

1038A/B LED CONNECTOR	
PIN NUMBER	SIGNALS
1 +	CLIP LED +
1 -	CLIP LED -
2 +	POWER LED +
2 -	POWER LED -



Genelec Document D0024R001E. Copyright Genelec Oy 9.2006. All data subject to change without prior notice

GENELEC®

International enquiries:
Genelec, Olivitie 5
FIN-74100, Iisalmi, Finland
Phone +358 17 83881
Fax +358 17 812 267
Email genelec@genelec.com

In the U.S. please contact:
Genelec, Inc., 7 Tech Circle
Natick, MA 01760, U.S.A.
Phone +1 508 652 0900
Fax +1 508 652 0909
Email genelec.usa@genelec.com

In China please contact:
Genelec China Representative Office
Soho New Town, 88 Jianguo Road
D-1504, Chaoyang District
Beijing 100022, China
Phone +86 10 8580 2180
Fax +86 10 8580 2181

www.genelec.com